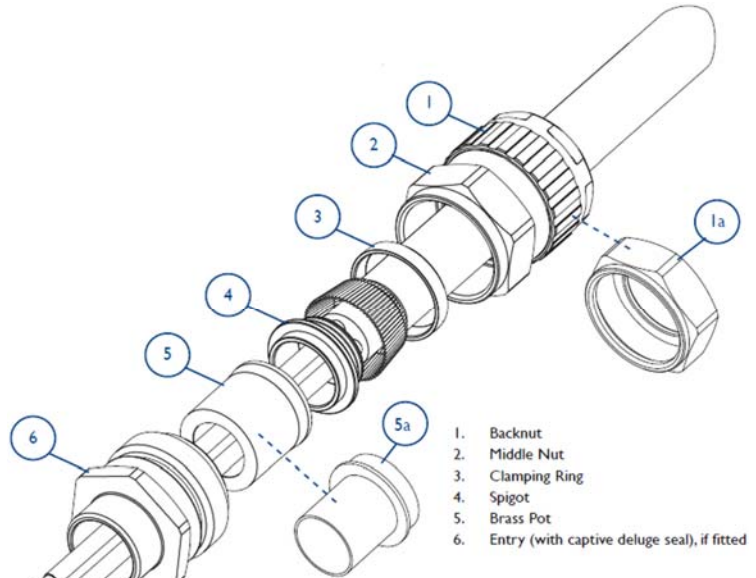


The Dowland-Bach Flexible Cable Assembly (DBFLX) is a fabricated product for use in hazardous locations for wiring of field instruments and devices, or other electrical connection of equipment that requires routine removal for calibration or other service. The DBFLX is an SOW type cable, NRTL listed for Class I, Division 1 and Class I, Zone 1 hazardous locations. It is prefabricated with UL-listed flexible, armored cable and standard trade size sealed connectors.

DBFLX	CABLE, CONDUCTORS, THREAD ENTRY SIZE SELECTION	CABLE LENGTH BETWEEN TERMINATORS (inch)	CONDUCTOR LEAD LENGTH, A (inch)	CONDUCTOR LEAD LENGTH, B (inch)
	A = 1PR, #18, 1/2" NPT	1 (min) - 12,000 (max)	24 (min) - 120 (max)	24 (min) - 120 (max)
	B = 1PR, #18, 3/4" NPT			
	C = 2PR, #18, 3/4" NPT			
	D = 2PR, #18, 1" NPT			
	E = 4C, #12, 3/4" NPT			
	F = 4C, #12, 1" NPT			
	G = 3C, #14, 1/2" NPT			
	H = 3C, #14, 3/4" NPT			
	J = 3C, #12, 3/4" NPT			
	K = 3C, #12, 1" NPT			
	L = 7C, #14, 3/4" NPT			
	M = 7C, #14, 1" NPT			
	N = 5C, #12, 3/4" NPT			
	P = 5C, #12, 1" NPT			
	Q = 4PR, #18, 3/4" NPT			
	R = 4PR, #18, 1" NPT			
	S = 1PR, #16, 1/2" NPT			
	T = 1PR, #16, 3/4" NPT			
	U = 2PR, #16, 3/4" NPT			
	V = 2PR, #16, 1" NPT			
	W = 4C, #14, 3/4" NPT			
	X = 4C, #14, 1" NPT			
	Y = 3C/#10 & 1PR/#16, 3/4" NPT			
	Z = 3C/#10 & 1PR/#16, 1" NPT			
	AA = 1TR/#16, 1/2" NPT			
	AB = 1TR/#16, 3/4" NPT			



Ehawke International. *Assembly Instructions for cable gland: 753.*
AI 318 / AI 339 - Issue L / Page 2 of 4.

Ex. Part Number: 2-Pair, Twisted Shielded, #18, 48" Cable, 36" Lead A, 36" Lead B, 3/4" NPT
DBFLX-C-48-36-36

Product Ratings:

- Class I, Division 1 ABCD
- Class I, Zone 1 IIA/IIB/IIC
- Class I, Division 2 ABCD
- Ordinary (Unclassified)
- Voltage Rating 600Vdc/1000Vac
- Temperature Code : T6
- Ambient Rating: -50°C to 60°C
- IEEE 45 & IEC 92 bend radius: 8 x diameter of cable
- ASTM D 746-07 low temperature physical testing

Technical Notes:

- Multiple conductor cables include ground wire
- Twisted pair cables include overall & individual drain wires & shields

Certification/Approval:

- Intertek/ETL control number 3191357 and report 3193877DAL-001
- UL 62 Standard for Safety for Flexible Cords and Cables
- UL 2225 Standard for Safety for Cables and Cable-Fittings for Use in Hazardous (Classified) Locations



PRODUCT DATA - DBFLX

Flexible Cable Assembly for Hazardous Locations



DB P/N	Cable Type		Conductor Color	Cable O.D. (in.)	Fitting	Ground Wire Size	Indiv. Drain Wire Size	Overall Drain Wire Size
DBFLX-A	1PR/#18	w/ shield	black, white	0.64	753A-½"	#18	-	#20
DBFLX-B					753A-¾"			
DBFLX-C	2PR/#18	w/ shield	black, white (numbered pairs)	0.78	753B-¾"	#18	#20	#20
DBFLX-D					753B-1"			
DBFLX-E	4C/#12	w/ ground	black, white, red, orange	0.89	753B-¾"	#12	-	-
DBFLX-F					753B-1"			
DBFLX-G	3C/#14	w/ ground	black, white, red	0.70	753A-½"	#14	-	-
DBFLX-H					753A-¾"			
DBFLX-J	3C/#12	w/ ground	black, white, red	0.82	753B-¾"	#12	-	-
DBFLX-K					753B-1"			
DBFLX-L	7C/#14	w/ ground	black, white, red, orange, gray, white/black	0.81	753B-¾"	#14	-	-
DBFLX-M					753B-1"			
DBFLX-N	5C/#12	w/ ground	black, white, red, orange, gray	0.96	753B-¾"	#12	-	-
DBFLX-P					753B-1"			
DBFLX-Q	4PR/#18	w/ shield	black, white (numbered pairs)	0.89	753B-¾"	#18	#20	#20
DBFLX-R					753B-1"			
DBFLX-S	1PR/#16	w/ shield	black, white (numbered pairs)	0.67	753A-½"	#16	-	#20
DBFLX-T					753A-¾"			
DBFLX-U	2PR/#16	w/ shield	black, white (numbered pairs)	0.80	753B-¾"	#16	#20	#20
DBFLX-V					753B-1"			
DBFLX-W	4C/#14	w/ ground	black, white, red, orange	0.78	753B-¾"	#14	-	-
DBFLX-X					753B-1"			
DBFLX-Y	3C/#10 & 1PR/#16	w/ ground & shield	black, white, red & black, white	0.84	753B-¾"	#10	-	#20
DBFLX-Z					753B-1"			
DBFLX-AA	1TR/#16	w/ ground & shield	TBD	TBD	753A-½"	#16	-	#20
DBFLX-AB					753A-¾"			

Hawke P/N	Cable O.D.	
	min	max
753A	0.49	0.81
753B	0.66	1.02

1. All cables to include UL-62 SOW sheath.
2. All cables to include tinned copper, braided armor.
3. All cable to include additional GREEN ground wire of same size.
4. All paired cables to have individual drain wires.